

# SM30 SERIES

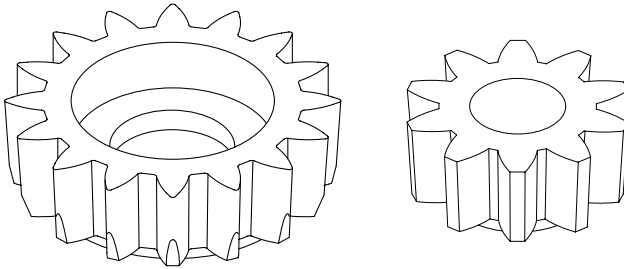
## 30° PA

### MODULE

#### Flat Root, DIN 5480

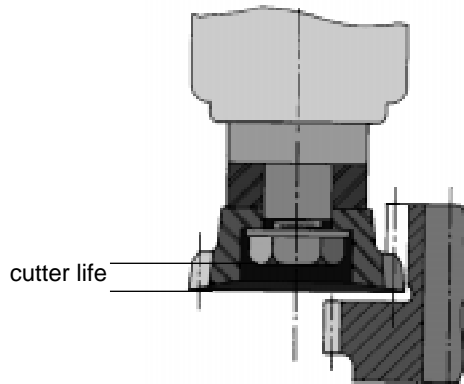
#### Involute Spline, Disc Type

#### Non-Topping



$$1.15/DP = WD$$

Deep "C" Bore available.  
Inquire on SMD30 Series.



Module	Pitch Dia.	Bore	No. Teeth	Whole Depth	Series
0.5	1.5	1/2	75	.0226	SM30-050-H
0.6	1.5	1/2	64	.0272	SM30-060-H
0.75	1.5	1/2	50	.0340	SM30-075-H
0.8	1.5	1/2	46	.0362	SM30-080-H
1	1.5	1/2	38	.0453	SM30-100-H
1	3	1-1/4	76	.0453	SM30-100-3
1	4	1-1/4	100	.0453	SM30-100-4
1.25	1.5	1/2	30	.0566	SM30-125-H
1.25	3	1-1/4	60	.0566	SM30-125-3
1.25	4	1-1/4	80	.0566	SM30-125-4
1.5	1.5	1/2	26	.0679	SM30-150-H
1.5	3	1-1/4	51	.0679	SM30-150-3
1.5	4	1-1/4	68	.0679	SM30-150-4
1.75	1.5	1/2	22	.0792	SM30-175-H
1.75	3	1-1/4	44	.0792	SM30-175-3
1.75	4	1-1/4	58	.0792	SM30-175-4
2	1.5	1/2	20	.0906	SM30-200-H
2	3	1-1/4	38	.0906	SM30-200-3
2	4	1-1/4	50	.0906	SM30-200-4
2	5	1-3/4	64	.0906	SM30-200-5
2.25	1.5	1/2	17	.1019	SM30-225-H
2.25	3	1-1/4	34	.1019	SM30-225-3
2.5	1.5	1/2	15	.1132	SM30-250-H
2.5	3	1-1/4	30	.1132	SM30-250-3
2.5	4	1-1/4	40	.1132	SM30-250-4
2.5	5	1-3/4	50	.1132	SM30-250-5
2.75	1.5	1/2	14	.1245	SM30-275-H
2.75	3	1-1/4	28	.1245	SM30-275-3
3	1.5	1/2	14	.1358	SM30-300-H
3	3	1-1/4	25	.1358	SM30-300-3
3	4	1-1/4	34	.1358	SM30-300-4
3.5	1.5	1/2	11	.1585	SM30-350-H
3.5	3	1-1/4	22	.1585	SM30-350-3
3.75	2	3/4	15	.1698	SM30-375-S
4	2	3/4	12	.1811	SM30-400-S
4	3	1-1/4	19	.1811	SM30-400-3
4	4	1-1/4	25	.1811	SM30-400-4
4	5	1-3/4	32	.1811	SM30-400-5
5	2	3/4	10	.2264	SM30-500-S
5	3	1-1/4	15	.2264	SM30-500-3
5	4	1-1/4	20	.2264	SM30-500-4
5	5	1-3/4	25	.2264	SM30-500-5
6	2	3/4	9	.2717	SM30-600-S
6	3	1-1/4	13	.2717	SM30-600-3
6	4	1-1/4	17	.2717	SM30-600-4
6	5	1-3/4	21	.2717	SM30-600-5
8	2.5	3/4	8	.3622	SM30-800-S
8	4	1-1/4	13	.3622	SM30-800-4
8	5	1-3/4	16	.3622	SM30-800-5
10	4	1-1/4	10	.4528	SM30-1000-4
10	5	1-3/4	13	.4528	SM30-1000-5

Sizes and configurations shown are the most popular. Other sizes and configurations available from stock, please call.