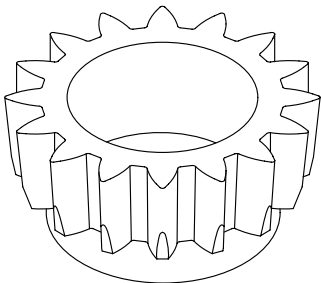


SDC20 SERIES DP, 20° PA

Deep C' Bore, Finishing Non-Topping



$2.25/DP=WD$
 20DP & finer - depth is $2.20/DP + .002$

Diam. Pitch	Pitch Dia.	Bore	No. Teeth	Whole Depth	Series
2	5	1-3/4	10	1.125	SDC20-200-5
2-1/2	5	1-3/4	13	.900	SDC20-250-5
3	4	1-1/4	12	.750	SDC20-300-4
3	4	1-3/4	12	.750	SDC20-300-4L
3	5	1-3/4	15	.750	SDC20-300-5
3-1/2	4	1-1/4	14	.6429	SDC20-350-4
3-1/2	5.1	1-3/4	18	.6429	SDC20-350-5
4	2.3	3/4	9	.5625	SDC20-400-S
4	3	1-1/4	12	.5625	SDC20-400-3
4	4	1-1/4	16	.5625	SDC20-400-4
4	4	1-3/4	16	.5625	SDC20-400-4L
4	5	1-3/4	20	.5625	SDC20-400-5
4	6	1-3/4	24	.5625	SDC20-400-6
5	2.4	3/4	12	.450	SDC20-500-S
5	3	1-1/4	15	.450	SDC20-500-3
5	4	1-1/4	20	.450	SDC20-500-4

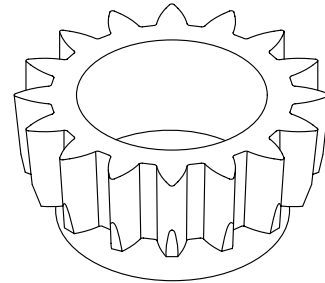
(continued on next page)

SDC20 SERIES

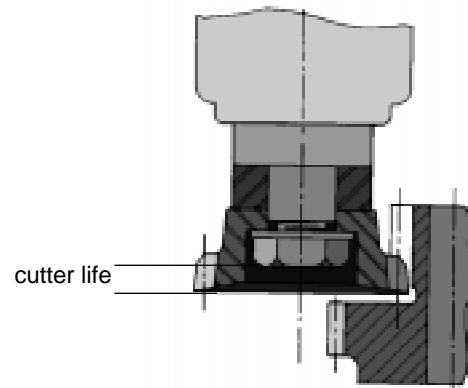
DP, 20° PA (continued)

Diam. Pitch	Pitch Dia.	Bore	No. Teeth	Whole Depth	Series
5	5	1-3/4	25	.450	SDC20-500-5
5	6	1-3/4	30	.450	SDC20-500-6
6	2	3/4	12	.375	SDC20-600-S
6	3	1-1/4	18	.375	SDC20-600-3
6	4	1-1/4	24	.375	SDC20-600-4
6	5	1-3/4	30	.375	SDC20-600-5
6	6	1-3/4	36	.375	SDC20-600-6
7	2	3/4	14	.3214	SDC20-700-S
7	3	1-1/4	21	.3214	SDC20-700-3
7	4	1-1/4	28	.3214	SDC20-700-4
7	5	1-3/4	35	.3214	SDC20-700-5
7	6	1-3/4	42	.3214	SDC20-700-6
8	2	3/4	16	.2813	SDC20-800-S
8	3	1-1/4	24	.2813	SDC20-800-3
8	4	1-1/4	32	.2813	SDC20-800-4
8	5	1-3/4	40	.2813	SDC20-800-5
8	6	1-3/4	48	.2813	SDC20-800-6
9	3	1-1/4	27	.250	SDC20-900-3
9	4	1-1/4	36	.250	SDC20-900-4
10	2	3/4	20	.225	SDC20-010-S
10	3	1-1/4	30	.225	SDC20-010-3
10	4	1-1/4	40	.225	SDC20-010-4
10	5	1-3/4	50	.225	SDC20-010-5
10	6	1-3/4	60	.225	SDC20-010-6
11	3	1-1/4	33	.2045	SDC20-011-3
11	4	1-1/4	44	.2045	SDC20-011-4
12	1.8	3/4	21	.1875	SDC20-012-S
12	3	1-1/4	36	.1875	SDC20-012-3
12	4	1-1/4	48	.1875	SDC20-012-4
12	5	1-3/4	60	.1875	SDC20-012-5
12	6	1-3/4	72	.1875	SDC20-012-6
14	1.7	1/2	24	.1607	SDC20-014-H
14	3	1-1/4	42	.1607	SDC20-014-3
14	4	1-1/4	56	.1607	SDC20-014-4
14	5	1-3/4	70	.1607	SDC20-014-5
16	2	3/4	32	.1406	SDC20-016-S
16	3	1-1/4	48	.1406	SDC20-016-3
16	4	1-1/4	64	.1406	SDC20-016-4
16	5	1-3/4	80	.1406	SDC20-016-5
20	1.5	3/4	30	.112	SDC20-020-S
20	3	1-1/4	60	.112	SDC20-020-3
20	4	1-1/4	80	.112	SDC20-020-4
24	2	3/4	48	.0937	SDC20-024-S
24	3	1-1/4	72	.0937	SDC20-024-3
24	4	1-1/4	96	.0937	SDC20-024-4
32	2	1/2	64	.0708	SDC20-032-H
32	3	1-1/4	96	.0708	SDC20-032-3
32	4	1-1/4	128	.0708	SDC20-032-4
48	1.5	1/2	72	.0478	SDC20-048-H
48	3	1-1/4	144	.0478	SDC20-048-3
48	4	1-1/4	192	.0478	SDC20-048-4
64	2.5	1-1/4	160	.0364	SDC20-064-3
72	2.5	1-1/4	180	.0326	SDC20-072-3

Deep C' Bore, Finishing Non-Topping



2.25/DP=WD
20DP & FINER - DEPTH IS 2.20/DP + .002



The deep counterbore cutter, sometimes called an extended boss type, is an advantageous option when the clamping nut cannot protrude beyond the cutting face at any time through out the life of the cutter.

Sizes and configurations shown are the most popular. Other sizes and configurations available from stock, please call.