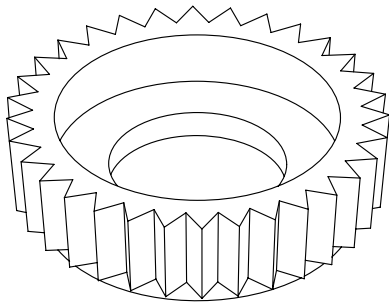


British Standard Straight-Sided Serrations “External”



BS 2059-1953

SBS SERIES

Part		Cutter			Series
Nominal Diam.	No. Serr.	Pitch Diam.	Bore	No. Teeth	
3/8	16	3	1-1/4	136	SBS16-037-3
1/2	16	3	1-1/4	96	SBS16-050-3
5/8	20	3	1-1/4	100	SBS20-062-3
3/4	20	3	1-1/4	85	SBS20-075-3
1	24	3	1-1/4	80	SBS24-100-3
1-1/8	24	3	1-1/4	68	SBS24-112-3
1-1/4	24	3	1-1/4	60	SBS24-125-3
1-3/8	24	3	1-1/4	54	SBS24-137-3
1-1/2	24	3	1-1/4	50	SBS24-150-3
1-3/4	36	3	1-1/4	64	SBS24-175-3
2	36	3	1-1/4	56	SBS36-200-3

*For more information on British standards see Section G.
This is a new series, some items may require backorder.*