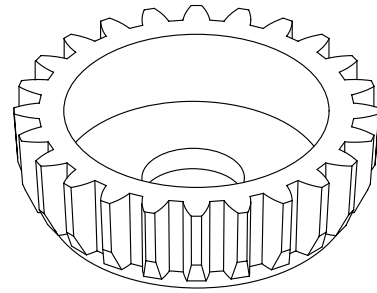


S5C30 & S7C30 SERIES

DP, 30° PA

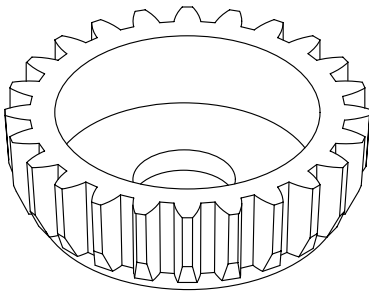
**Flat Root
Side Fit &
Major Dia. Fit
Chamfering, Involute Spline
(external)**



For internal major diam. fit, see page B-25.

Diam. Pitch	Pitch Dia.	Bore	No. Teeth	ASA B5.15-1950		ANSI B92.1-1970	
				Whole Depth	Series	Whole Depth	Series
2.5/5	4	1-1/4	10	.442	S5C30-250-4	.470	S7C30-250-4
2.5/5	5	1-3/4	13	.442	S5C30-250-5	.470	S7C30-250-5
2.5/5	6	1-3/4	15	.442	S5C30-250-6	.470	S7C30-250-6
3/6	3	1-1/4	9	.3687	S5C30-300-3	.3917	S7C30-300-3
3/6	4	1-1/4	12	.3687	S5C30-300-4	.3917	S7C30-300-4
3/6	5	1-3/4	15	.3687	S5C30-300-5	.3917	S7C30-300-5
3/6	6	1-3/4	18	.3687	S5C30-300-6	.3917	S7C30-300-6
4/8	3	1-1/4	12	.277	S5C30-400-3	.294	S7C30-400-3
4/8	4	1-1/4	16	.277	S5C30-400-4	.294	S7C30-400-4
4/8	5	1-3/4	20	.277	S5C30-400-5	.294	S7C30-400-5
4/8	6	1-3/4	24	.277	S5C30-400-6	.294	S7C30-400-6
5/10	3	1-1/4	15	.222	S5C30-500-3	.235	S7C30-500-3
5/10	4	1-1/4	20	.222	S5C30-500-4	.235	S7C30-500-4
5/10	5	1-3/4	25	.222	S5C30-500-5	.235	S7C30-500-5
5/10	6	1-3/4	30	.222	S5C30-500-6	.235	S7C30-500-6
6/12	3	1-1/4	18	.1854	S5C30-600-3	.196	S7C30-600-3
6/12	4	1-1/4	24	.1854	S5C30-600-4	.196	S7C30-600-4
6/12	5	1-3/4	30	.1854	S5C30-600-5	.196	S7C30-600-5
6/12	6	1-3/4	36	.1854	S5C30-600-6	.196	S7C30-600-6
7/16	3	1-1/4	21	.1395	S5C30-700-3	.147	S7C30-700-3
7/16	4	1-1/4	28	.1395	S5C30-700-4	.147	S7C30-700-4
8/16	3	1-1/4	24	.1395	S5C30-800-3	.147	S7C30-800-3
8/16	4	1-1/4	32	.1395	S5C30-800-4	.147	S7C30-800-4
8/16	5	1-3/4	40	.1395	S5C30-800-5	.147	S7C30-800-5
8/16	6	1-3/4	48	.1395	S5C30-800-6	.147	S7C30-800-6
10/20	3	1-1/4	30	.112	S5C30-010-3	.118	S7C30-010-3
10/20	4	1-1/4	40	.112	S5C30-010-4	.118	S7C30-010-4
10/20	5	1-3/4	50	.112	S5C30-010-5	.118	S7C30-010-5
10/20	6	1-3/4	60	.112	S5C30-010-6	.118	S7C30-010-6
12/24	3	1-1/4	36	.0936	S5C30-012-3	.098	S7C30-012-3
12/24	4	1-1/4	48	.0936	S5C30-012-4	.098	S7C30-012-4
12/24	5	1-3/4	60	.0936	S5C30-012-5	.098	S7C30-012-5
12/24	6	1-3/4	72	.0936	S5C30-012-6	.098	S7C30-012-6
14/28	4	1-1/4	56	.0814	S5C30-014-4	.0839	S7C30-014-4
16/32	3	1-1/4	48	.0708	S5C30-016-3	.073	S7C30-016-3
16/32	4	1-1/4	64	.0708	S5C30-016-4	.073	S7C30-016-4
16/32	5	1-3/4	80	.0708	S5C30-016-5	.073	S7C30-016-5
16/32	6	1-3/4	96	.0708	S5C30-016-6	.073	S7C30-016-6
20/30	3	1-1/4	60	.0614	S5C30-023-3	.0635	S7C30-023-3
20/30	4	1-1/4	80	.0614	S5C30-023-4	.0635	S7C30-023-4
20/40	3	1-1/4	60	.057	S5C30-020-3	.059	S7C30-020-3
20/40	4	1-1/4	80	.057	S5C30-020-4	.059	S7C30-020-4
20/40	5	1-3/4	100	.057	S5C30-020-5	.059	S7C30-020-5
20/40	6	1-3/4	120	.057	S5C30-020-6	.059	S7C30-020-6

(continued on next page)

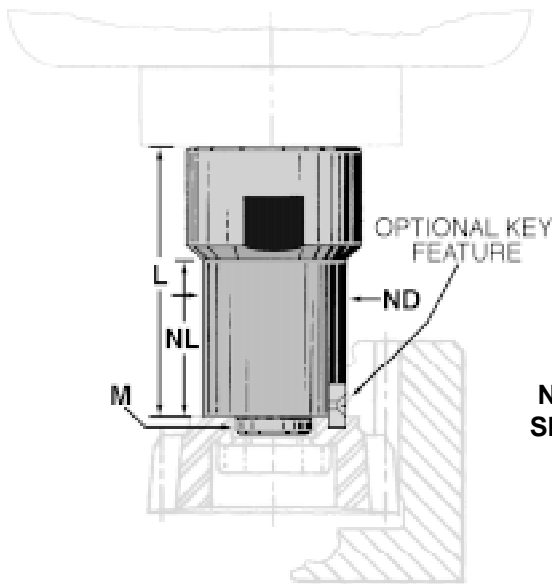


For internal major diam. fit, see page B-25.

S5C30 & S7C30 SERIES DP, 30° PA (continued)

**Flat Root
Side Fit &
Major Dia. Fit
Chamfering, Involute Spline
(external)**

Diam. Pitch	Pitch Dia.	Bore	No. Teeth	ASA B5.15-1950		ANSI B92.1-1970	
				Whole Depth	Series	Whole Depth	Series
24/48	3	1-1/4	72	.0478	S5C30-024-3	.049	S7C30-024-3
24/48	4	1-1/4	96	.0478	S5C30-024-4	.049	S7C30-024-4
24/48	5	1-3/4	120	.0478	S5C30-024-5	.049	S7C30-024-5
32/64	3	1-1/4	96	.0364	S5C30-032-3	.0367	S7N30-032-3
32/64	4	1-1/4	128	.0364	S5C30-032-4	.0367	S7C30-032-4
32/64	5	1-3/4	160	.0364	S5C30-032-5	.0367	S7C30-032-5
40/80	3	1-1/4	120	.0295	S5C30-040-3	Same as S5C30 Series	S7N30-040-3
40/80	4	1-1/4	160	.0295	S5C30-040-4		S7N30-040-4
40/80	5	1-3/4	200	.0295	S5C30-040-5	Same as S5C30 Series	S7C30-040-5
48/96	3	1-1/4	144	.0249	S5C30-048-3		S7C30-048-3
48/96	4	1-1/4	192	.0249	S5C30-048-4		S7C30-048-4
48/96	5	1-3/4	240	.0249	S5C30-048-5		S7C30-048-5



**NEED AN ADAPTER?
SEE PAGES B49 – B54**

